

Emcom Systems

127 Route 206 South, Suite 27
Trenton, NJ 08610
www.emcomsys.com

(609) 585-5500
Fax: (609) 585-7723
info@emcomsys.com

Communications Design

A400 Speaker/Beacon

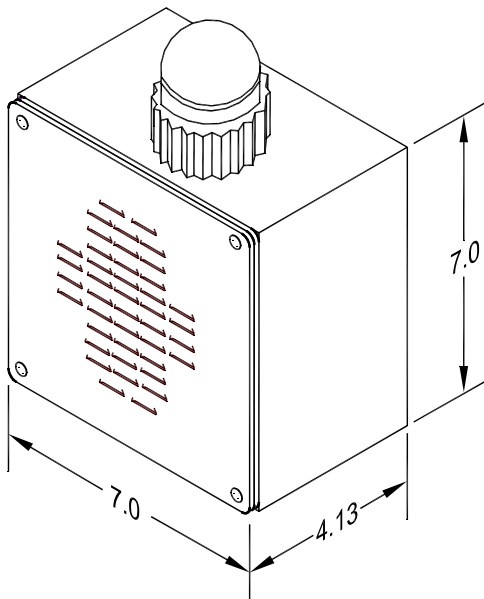
The A400 provides a vandal-resistant, Public Address, speaker capability with location identification via a blue light. It consists of a 15 watt submersible speaker and a long-life, blue LED beacon mounted to a stainless steel housing. The unit may be used standalone but is normally mounted in conjunction with an IP6xxx family telephone which provides drive for the speaker and power and control to the blue beacon. The enclosure has four mounting holes for easy mounting to any flat surface or for use with an Emcom Systems A401 pole mounting kit.

Features

- All Stainless Steel
- Wide Operating Temperature
- High Output Speaker
- Submersible
- 360 Degree Beacon
- 2-Year Warranty

Specifications

Dimensions:	7.0" H x 7.0" W x 4.13" D	Speaker:	4 Ohms, 15 Watts
Material, Housing:	16 Ga. (.062") Brushed SS		120 - 8,000 Hz
Material, Beacon:	Polycarbonate, Blue		95 dB @ 1 Watt/Meter
Weight:	6 lbs.	Beacon:	5 VDC, 350 Ma
Connections:	1 Audio Pair, 1 Beacon Pair		Visible At 4000 Foot Distance
Operating Temp:	-30° C to +50° C (-22° F to +122° F)	MTBF:	Greater Than 90,000 Hours



REV 02/18/10

The dynamic nature of this product design dictates that the information contained in this document be subject to change without notice. Emcom Systems assumes no responsibility for errors and/or omissions contained herein.