

Emcom Systems

127 Route 206 South, Suite 27
Trenton, NJ 08610
www.emcomsys.com

(609) 585-5500
Fax: (609) 585-7723
info@emcomsys.com

Communications Design

A401 Pole Mounting Frame

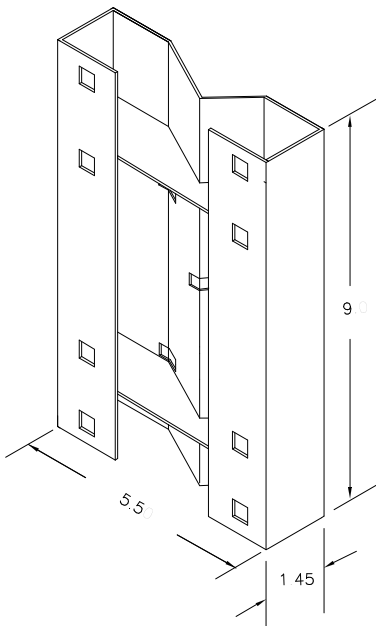
The A401 Pole Mounting Frame provides a means of securing the H300 Telephone Mounting Box to round poles ranging in diameters from 2" to 15" and rectangular poles with a minimum side of 2". The stainless steel frame is easily secured with the included stainless steel banding and galvanized clamps. It is highly vandal-resistant as the securing clamps are hidden behind the mounting box when it is installed. The A401 also includes alternative mounting holes to accommodate the A400 Speaker-Beacon.

Features

- Stainless Steel Frame
- Stainless Steel Banding
- Single Piece Construction
- Mounts H300 and A400

Specifications

Dimensions:	9.0" H x 5.5" W x 1.45" D
Mounting Plate:	Stainless Steel
Banding:	Stainless Steel
Weight:	4 lbs.



REV 09/17/09

The dynamic nature of this product design dictates that the information contained in this document be subject to change without notice. Emcom Systems assume no responsibility for errors and/ or omissions contained herein.