

# Emcom Systems

127 Route 206 South, Suite 27  
Trenton, NJ 08610  
www.emcomsys.com

(609) 585-5500  
Fax: (609) 585-7723  
info@emcomsys.com

**Communications Design**

## A402 Blue Beacon

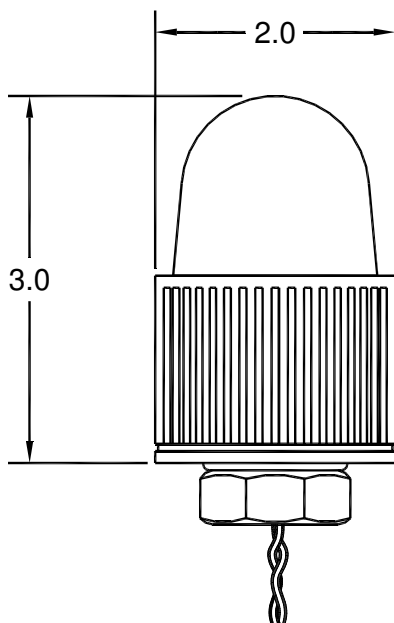
The A402 is a long-life blue LED beacon that serves as a location identifier, typically for the A400 speaker.

### Features

- **Wide Operating Temperature**
- **360 Degree Beacon**
- **Visible at 4000 ft. distance**
- **Submersible**
- **2-Year Warranty**

### Specifications

Dimensions:	3.0" H x 2.0" Dia.	Operating Temp:	-30° C to +50° C (-22° F to +122° F)
Material:	Polycarbonate, Blue	Operating Voltage:	
Weight:	5 oz.	Power Consumption:	2 Watts
Connections:	1 Beacon Pair	MTBF:	Greater Than 90,000 Hours



REV 5/4/10

The dynamic nature of this product design dictates that the information contained in this document be subject to change without notice.  
Emcom Systems assumes no responsibility for errors and/or omissions contained herein.