

Emcom Systems

127 Route 206 South, Suite 27
Trenton, NJ 08610
www.emcomsys.com

(609) 585-5500
Fax: (609) 585-7723
info@emcomsys.com

Communications Design

H300 Surface Mount Box

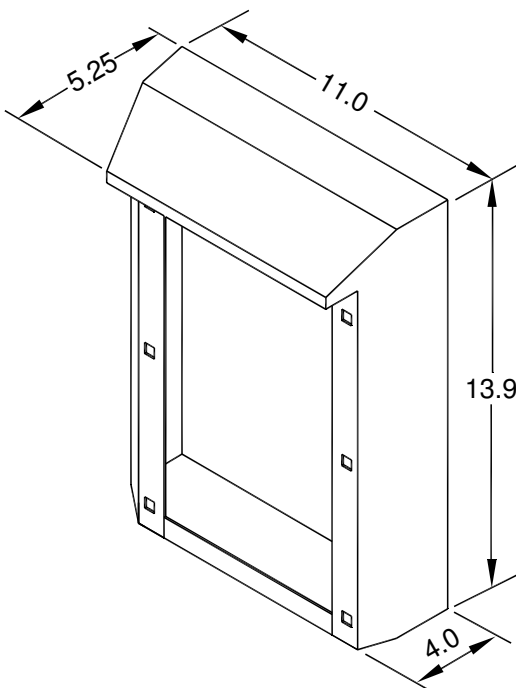
The H300 is a rugged, stainless steel, surface mount box for the Emcom Systems' family of hands-free and hand-set emergency assistance telephones. For extreme environments, an H305 Door may be added to provide further protection.

Features

- **Stainless Steel Construction**
- **Mates with A401 Pole Mtg Frame**
- **Integrated Drip Cap**
- **Angled Sides To Improve Signage Visibility**

Specifications

Dimensions:	13.9" H x 11" W x 5.25" D	Material:	16 Ga. (.062) Stainless Steel
Signage:	"EMERGENCY" (standard)	Weight:	7 Pounds
Finishes:	Brushed Stainless, Red Powder Coat, Yellow Powder Coat (Shown)		



REV 2/4/10

The dynamic nature of this product design dictates that the information contained in this document be subject to change without notice. Emcom Systems assumes no responsibility for errors and/or omissions contained herein.