

Emcom Systems

127 Route 206 South, Suite 27
Trenton, NJ 08610
www.emcomsys.com

(609) 585-5500
Fax: (609) 585-7723
info@emcomsys.com

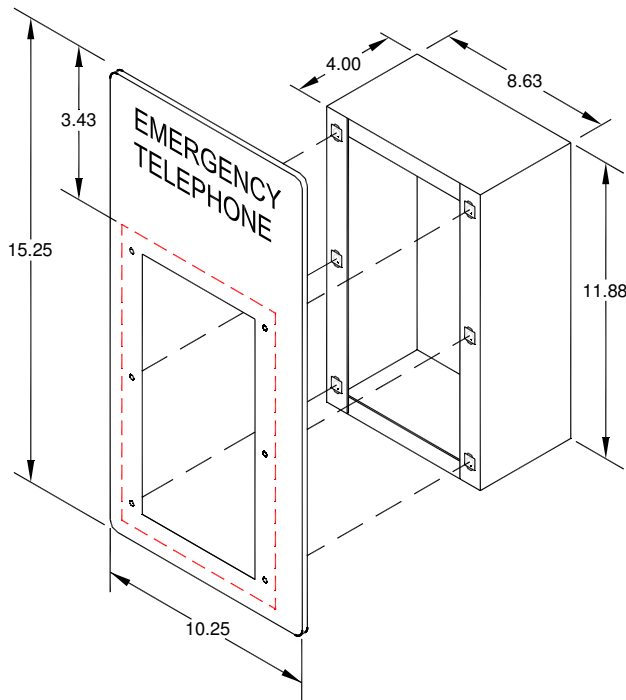
Communications Design

H310 In-Wall Box and Bezel

The H310 is a stainless steel box for the Emcom Systems' family of hands-free and handset emergency assistance telephones. The box can be mounted in a wall instead of to the surface, which is ideal for locations where space is limited. The red bezel assists in identifying the emergency telephones quickly, and provides coverage of rough-in.

Specifications

Dimensions:	Bezel - 15.25" H x 10.25" W	Material:	Bezel - 12 Ga. (.106) 304 Stainless Steel
	Box - 11.88" H x 8.63" W x 4" D		Box - 16 Ga. (.062) Stainless Steel
Signage:	"EMERGENCY TELEPHONE" (standard)	Weight:	7 Pounds
Bezel Finishes:	Brushed Stainless, Yellow Powder Coat, Red Powder Coat (Shown)		



REV 1/20/10

The dynamic nature of this product design dictates that the information contained in this document be subject to change without notice. Emcom Systems assumes no responsibility for errors and/or omissions contained herein.