

# Emcom Systems

127 Route 206 South, Suite 27  
Trenton, NJ 08610  
www.emcomsys.com

(609) 585-5500  
Fax: (609) 585-7723  
info@emcomsys.com

**Communications Design**

## SA1010 Audio Interface Box

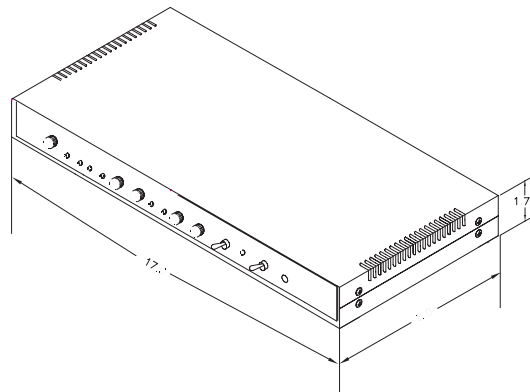
The SA1010 audio interface box provides a connection point for all agent audio inputs and outputs at an EmVista workstation and connects these various agent devices to the workstation and to the audio bus of a communications system. The powerful interface box may be placed on a desk or mounted under the desk using the included mounting brackets.

### Features

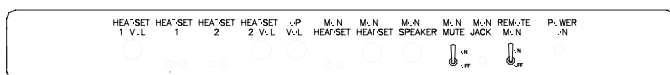
- 2 Corded Headset/Handset Jacks With Volume Control
- Wireless Headset Jack
- Operate and Monitor Speaker Jacks With Volume Control
- Dynamic Desk Mic Input
- Push to Talk inputs
- Remote Monitor Speaker
- Automatic Volume Control on All Paths
- 2 Year Warranty

### Specifications

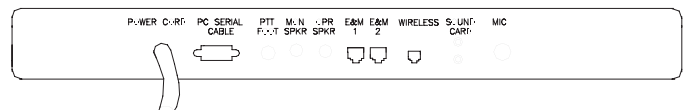
Dimensions:	1.75" H x 17.0" W x 8.0" D	Freq. Response:	300Hz - 3KHz
Panel:	11 Ga. (.120") PVC (Brown)	Power:	110-120VAC, 1 Watt
Housing:	18 Ga. (.050") Alum. (Sand)	MTBF:	Greater Than 90,000 Hours
Weight:	10 lbs.	Connections:	See Panel Drawings
Operating Temp:	-20 C to +50 C (-4 F to +122 F)		



FRONT PANEL



REAR PANEL



REV 09/17/09

The dynamic nature of this product design dictates that the information contained in this document be subject to change without notice. Emcom Systems assume no responsibility for errors and/or omissions contained herein.