

Emcom Systems

127 Route 206 South, Suite 27
Trenton, NJ 08610
www.emcomsys.com

(609) 585-5500
Fax: (609) 585-7723
info@emcomsys.com

Communications Design

SA3000 VoIP PA Audio Node

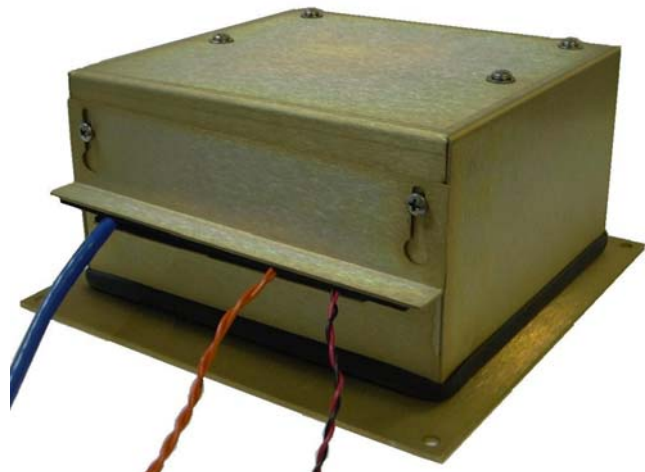
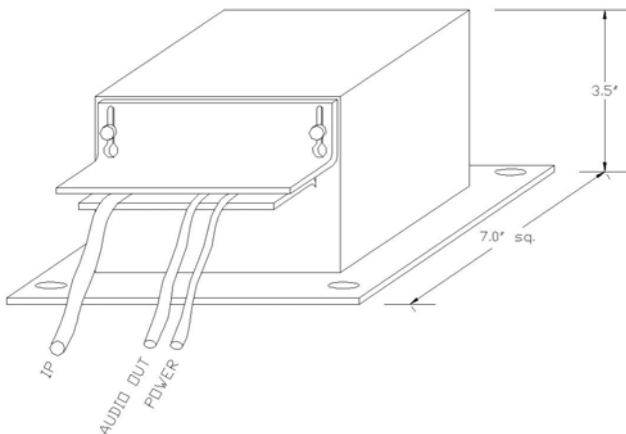
The SA3000 is a hardened, IP to audio device that provides line level audio to Public address inputs. The IP side utilizes VoIP (Voice over Internet Protocol) communications and SIP (Session Initiation Protocol). The SA3000 is set up via a web browser or is remotely supervised, tested and set up using an Emcom Systems' EmVista Maintenance Station.

Features

- **Wide Operating Temp Range**
- **3 Port IP Switch for Daisy Chaining**
- **2 Year Warranty**
- **Remote Set Up and Volume Adjust Via Web Browser or EmVista Maintenance**
- **Auxiliary Contact Closures**

Specifications

Dimensions:	7" x 7" x 3.5" D	Power:	3.4 Watts
Housing:	16 Ga. (.060") Brushed SS		9 to 54 VDC, 48 VDC POE
Weight:	lbs.		or 110 - 240 VAC 50-60 Hz
Connectors:	2 RJ-45, 1 Audio Out, 2 Aux Contacts, 1 Power	2 Aux Contacts:	120mA-250VAC Rating, Opto-isolated
Operating Temp:	-30 C to +50 C (-22 F to +122 F)	Freq. Response:	300Hz - 15KHz
		MTBF:	Greater Than 90,000 Hours



REV 09/17/09

The dynamic nature of this product design dictates that the information contained in this document be subject to change without notice. Emcom Systems assumes no responsibility for errors and/or omissions contained herein.