

# Emcom Systems

127 Route 206 South, Suite 27  
Trenton, NJ 08610  
www.emcomsys.com

(609) 585-5500  
Fax: (609) 585-7723  
info@emcomsys.com

**Communications Design**

## ES850

### Rugged, Communication Endpoint

The ES850 is a surface-mounted, hands-free, full-duplex Communication Point. Its internal amplifier and speaker operate from line level audio in and its microphone and preamp provide line level audio out to remote systems. The unit provides a contact closure to alert of activation and has two indicators to advise of call placed and received. The ES850 is ideal for area of rescue or access entry applications. When used with the IP850 Communications Point Controller it provides background noise reduction using DSP (Digital Signal Processing).

#### Features

- Full Duplex
- 2 Visual Call Progress Indicators
- 2-year Warranty
- 3/4" Metal Button
- Submersible Speaker

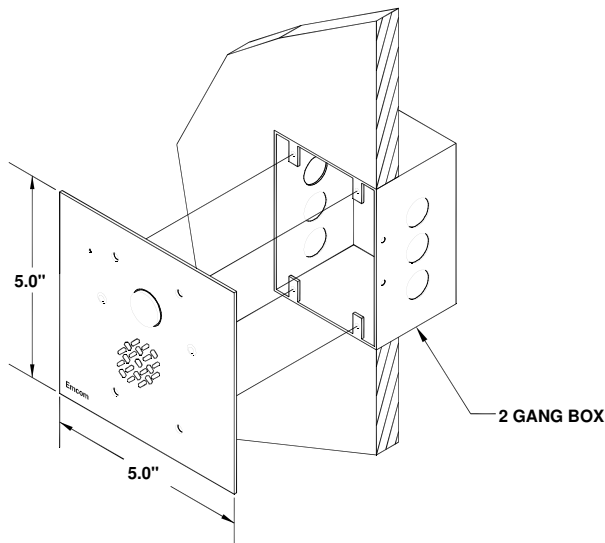
#### Specifications

##### Mechanical

Dimensions:	5.00" H x 5.00" W x 1.8" D
Panel:	Stainless Steel
Weight:	3 lbs.
Connectors:	8 Position Terminal Strip
Operating Temp:	-30 C to +50 C (-22 F to +122 F)

##### Electrical

Connections:	4 Pairs -Power, Contact Closure, Audio In, Audio Out
Power:	12 to 24V DC
Contact Closure:	Momentary -1 sec, 120mA-250VAC Rating
Audio In:	Line Level Audio In
Audio Out:	Line Level Audio Out



REV 09/17/09

The dynamic nature of this product design dictates that the information contained in this document be subject to change without notice. Emcom Systems assumes no responsibility for errors and/or omissions contained herein.