

Emcom Systems

127 Route 206 South, Suite 27
Trenton, NJ 08610
www.emcomsys.com

(609) 585-5500
Fax: (609) 585-7723
info@emcomsys.com

Communications Design

IP850 Communication Point Controller

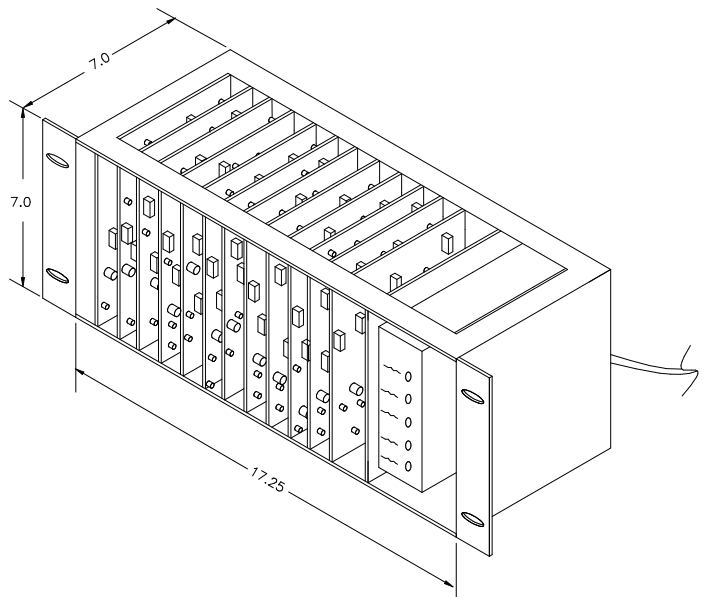
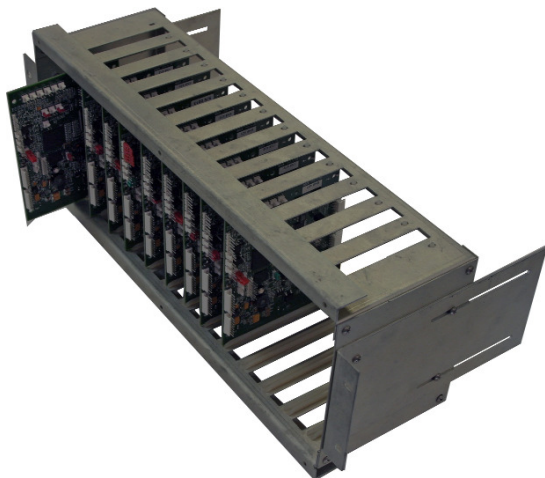
The IP850 is a rack mounted, 4U unit containing interface cards that provide centralized connections for up to 12 ES850 Rugged Communication Points. The interface cards provide VoIP (Voice over Internet Protocol) communications from each ES850 to the network utilizing SIP (Session Initiation Protocol). The minimal electronics of the ES850 can be placed up to 2000 feet from the more sophisticated IP850 which can be centrally located in a more secure area. From 1 to 12 ES850 Communication Points are accommodated by simply adding IP850 interface cards. Each IP850 interface is programmed via a web browser and may be remotely supervised, tested and programmed using an Emcom Systems' EmVista Maintenance Station.

Features

- Full Duplex
- Wide Operating Temp Range
- 2 Year Warranty
- Background Noise Reduction Using DSP
- Remote Programming and Volume Adjust Via Web Browser or EmVista Maintenance

Specifications

Dimensions:	7" H x 17.25" W x 7" D	Power:	40 Watts (Full Chassis)
Chassis:	painted steel - aluminum		110 - 240 VAC 50-60 Hz
Weight:	15 lbs. fully configured	Freq. Response:	300Hz - 3KHz
Connectors:	2 RJ-45 per interface 2 audio, 1 power per interface 1 AC power	MTBF:	Greater Than 90,000 Hours
Operating Temp:	-30°C to +50°C (-22°F to +122°F)		



REV 2/18/10

The dynamic nature of this product design dictates that the information contained in this document be subject to change without notice. Emcom Systems assumes no responsibility for errors and/or omissions contained herein.