

Emcom Systems

127 Route 206 South, Suite 27
Trenton, NJ 08610
www.emcomsys.com

(609) 585-5500
Fax: (609) 585-7723
info@emcomsys.com

Communications Design

IP6001

Rugged, Hands-Free, VoIP, Electronics Only, 1-Button Emergency Telephone

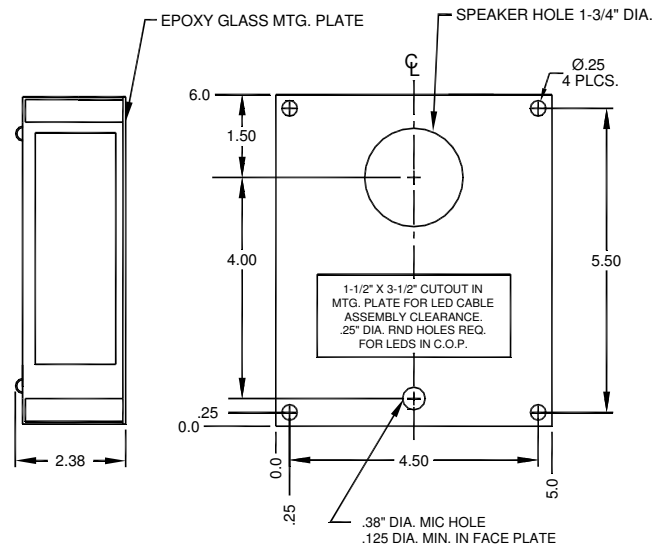
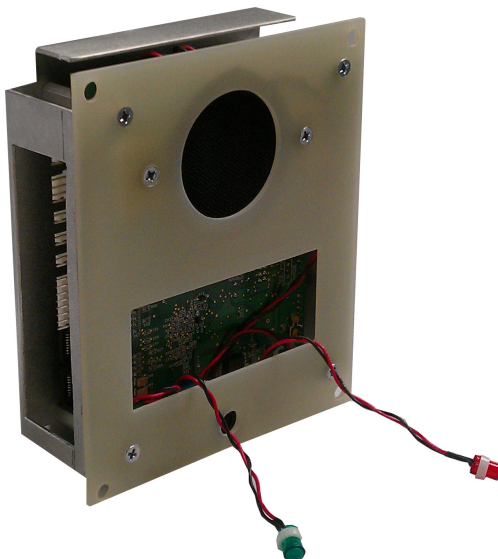
The IP6001 is a full-duplex, intelligent hands-free emergency assistance phone that provides VoIP (Voice over Internet Protocol) communications utilizing SIP (Session Initiation Protocol). This IP telephone is ideal for applications behind elevator car operating panels or any indoor area requiring emergency assistance communications. The IP6001 is programmed via a web browser or is remotely supervised, tested and programmed using an Emcom Systems' EmVista Maintenance Station. Room allowed for mounting of VDSL module option to P.C. board.

Features

- Full Duplex
- 2 Visual Call Indicator LEDs
- In Wall Elevator Mount
- Background Noise Reduction Using DSP
- Included Cable to connect to existing Call Button
- Remote Programming and Volume Adjust Via Web Browser or EmVista Maintenance
- Auxiliary Contact Closures
- 3 Port IP Switch for Daisy Chaining
- 2 Year Warranty
- Wide Operating Temp Range

Specifications

Dimensions:	6" H x 5" W x 2.38" D	Power:	3.4 Watts at Full Volume
Panel:	.125" THK Epoxy Glass		9 to 54 VDC, 48 VDC POE
Weight:	2 lbs.		or 110 - 240 VAC 50-60 Hz
Connectors:	2 RJ-45, 2 Aux Contacts, 1 Power	2 Aux Contacts:	120mA-250VAC Rating, Opto-isolated
Operating Temp:	-30° C to +60° C (-22° F to +140° F)	Freq. Response:	300Hz - 3KHz
		MTBF:	Greater Than 90,000 Hours



REV 01/10/12

The dynamic nature of this product design dictates that the information contained in this document be subject to change without notice. Emcom Systems assumes no responsibility for errors and/or omissions contained herein.